

100ADX Model



view on
website

Capacity: 100 kg/hr

Ex db mb II B T2 Gb / Class-1, Division-1

CE
APPROVED
EU ATEX
EC MD



**Empowered by Innovation,
Driven by Japanese Technology**

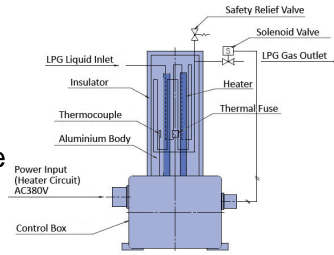
KAGLA VAPORTECH CORPORATION was established in 1958. Today, we are the leading manufacturer of LPG vaporizers. More than 60 years of history has earned us a reputation of being one of the most experienced LPG vaporizer manufacturers in the world. Through continuous research and development over the years, "KAGLA" brand has grown to be a symbol of Durability, Reliability and Safety.



FEATURES

DRY-ELECTRIC TYPE NO NEED OF WATER

Its aluminum body is the heat exchanger to vaporize LPG liquid directly.
Quick start in 90 sec!



CE CERTIFIED

- 1) MD Machinery Directive
- 2) ATEX Electrical Equipment Explosion-proof Directive



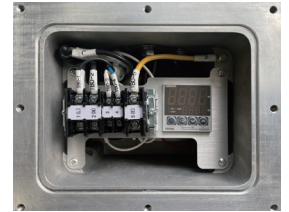
COMPACT BODY SIZE

Compactly designed to fit any type of places.
Best solution for stable vaporization for the clients who want vaporizer to fit small installation space.



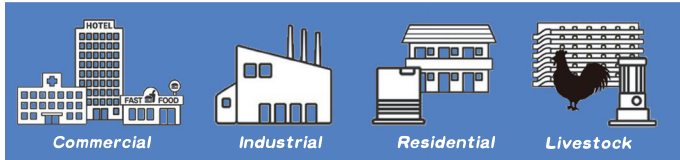
EFFICIENT HEAT CONTROL ENGINEERED IN JAPAN

High-precision *PID temperature controller and aluminum body realized high thermal efficiency.

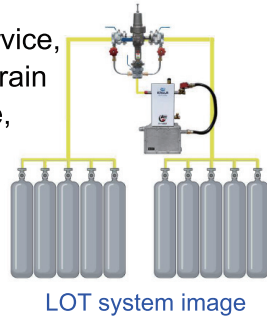


*PID: Proportional-Integrated-Differential.

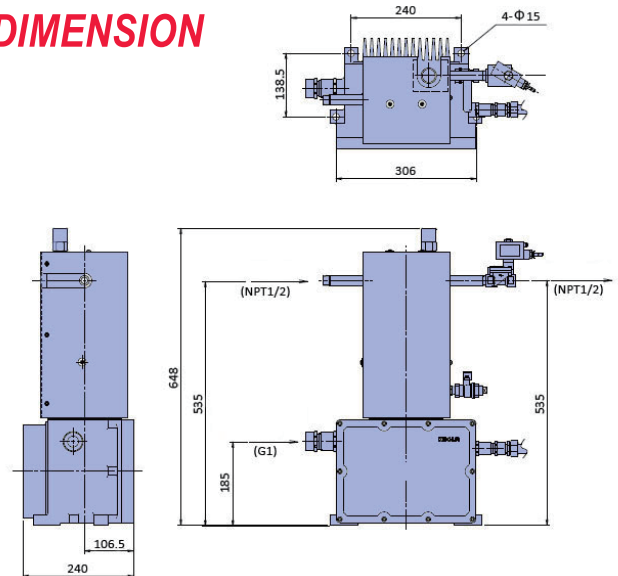
APPLICATIONS



Hotel, Restaurant, Laundry service, Small factory, Agri business, Grain dryer, Poultry, Heating purpose, Boiler and many more.
Also LOT (Liquid Off-Take) set up would be perfect match for ADX along with our Liquid Auto Changeover.



DIMENSION



SPECIFICATION

Model		EV-100ADX
Vaporization Capacity		100 kg/h
Gas		LPG (liquefied petroleum gas)
Heat Source	Type	Electricity
	Explosion-Proof Heater	14 kW
	Power source	Heater Circuit : 3-Phase AC380V (-0% ~ +10%)
	Amperage rating	21.3 A
Temperature control range		63 C
Thermal fuse setting		130 C
Safety Relief Valve Setting Pressure		250psi(1.72MPa)
Connection Bore	Liquid Inlet	NPT 1/2
	Gas Outlet	NPT 1/2
Dimensions		W306 x D240 x H648 (mm)
Approximate Weight		50 kg
Explosion-Proof Marking		Ex db mb II B T2 Gb / Flame-proof

KAGLA VAPORTECH CORPORATON

1-2-1 Tachibana-cho, Amagasaki, Hyogo, 661-0025, Japan
Phone: +81 6 6429 2696 Fax: +81 6 6422 0134

URL : <https://kagla.co.jp/en> / Mail : info-overseas@kagla.co.jp

